

AJAX Righthite Manual Step Unit

for top loading tanker and platform access



Safe Access

AJAX Safe Access Systems: Protecting your workers in hazardous and high level environments.

The AJAX Righthite Manual Step Unit is suitable for all rail and road tanker loading and platform access, and is available in a range of standard sizes to suit many height variations.

Technical Specification

All Units are manufactured and constructed to the highest quality for long lasting durability and many years of maintenance free operation in harsh environments.

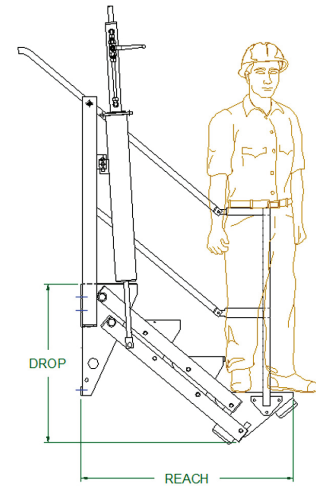
Constructed from galvanised mild steel to BS 729 for long lasting durability in harsh environments.

All Units comply with ATEX 95 equipment directive 95/9/EC this concerns the supply and use of equipment in potentially explosive atmospheres.

Optional Extras

An optional safety cage can be fitted to any manual Step Unit which is constructed from galvanised mild steel to BS 729 or aluminium (Al).

An optional hydraulic parking lock can be fitted to stabilise the Unit in any position. Where fitted, the standard foot lock is no longer required.



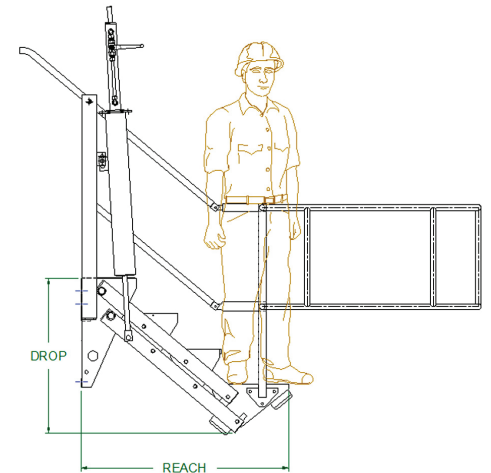
Manual Step Unit illustration

Support

AJAX offer on-going staff training and instruction as well as annual inspection and maintenance contracts.

Delivery

Delivery is available on request - POA. Delivery is from our manufacturing site in Nottingham.



Manual Step Unit with Cage illustration

AJAX Safe Access | by Canal Engineering Ltd

Tanker access steps, platforms, pallet gates and barriers; engineered for reliability, simple operation and outstanding value.

For advice regarding the most suitable product for you please contact our Safe Access expert today to discuss your bespoke requirements.

MODEL	UNIT DIMENSIONS (mm)		CAGE DIMENSIONS (mm)			STEP WIDTH (mm)			OPTIONAL EXTRAS	
	DROP	REACH	WIDTH	LENGTH	HEIGHT	800	1000	1200	CAGE	LOCK
MK 2	481	685	1200	1200	550	YES	YES	YES	Galv.	YES
MK 3	677	919	1200	1200	550	YES	YES	YES	Galv.	YES
MK 4	874	1152	1200	1200	550	YES	YES	YES	Galv.	YES
MK 5	1070	1386	1200	1200	550	YES	YES	YES	Galv.	YES
MK 6	1280	1619	1200	1200	550	YES	YES	X	Al.	YES
MK 7	1490	1853	1200	1200	550	YES	X	X	Al.	YES

Visit www.ajax.eu.com for the product demonstration video and download the technical data sheet for drawings and optional extras.

